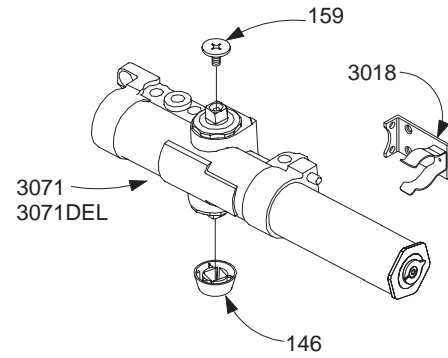


LCN 1460 SERIES "Super Stock"

Cylinder Assemblies

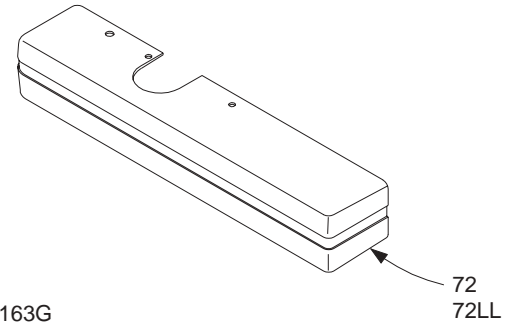
1461-3071	Cylinder Assembly	F
	<i>Includes screw pack (SRT standard – please specify other)</i>	
	<i>Size '1' cylinder is adjustable from size 1-6</i>	
1461-3071DEL	Cylinder Assembly w/Delay	F
	<i>Includes screw pack (SRT standard – please specify other)</i>	
	<i>Size '1' cylinder is adjustable from size 1-6</i>	



Individual Cylinder Parts

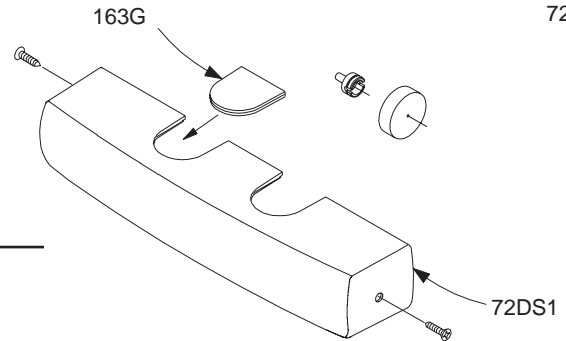
Individual cylinder parts for 1461-3071, & -3071DEL

1460-146	Shaft Cover	F
1460-159	Arm Screw	F
1460-3018	Mounting Bracket	



Covers

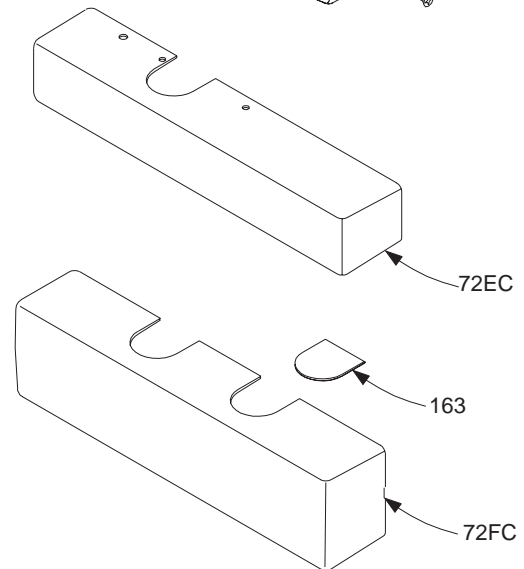
1460-72	Slim Line Cover	F
1460-72DS1	Designer Series Metal Cover	F
	<i>Includes 1460-163G</i>	
1460-72EC	Smooth Slim Line Cover	F
1460-72FC	Full Cover	F
	<i>Includes 1460-163</i>	
1460-72LL	Lead Lined Cover	F
	<i>Includes 1460-163</i>	



Individual Cover Parts

Individual cover parts for 1460-72DS1 & 1460-72FC

1460-163	Arm Insert	F
1460-163G	Arm Insert (DS1)	F



Please specify finish (F), size (S), hand (H), & voltage (V) where indicated. See the latest edition of the LCN Catalog for part descriptions and specifications on many of the items shown above. List prices for items shown above can be located in the current LCN Price List.

LCN 1460 SERIES "Super Stock"

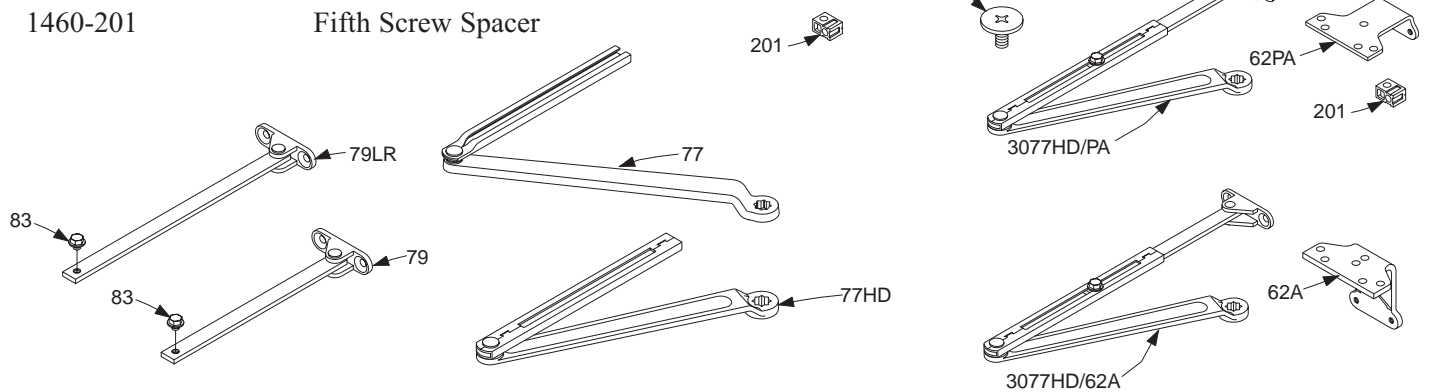
Complete Arm Assemblies

1460-3077	Regular Arm	F
	<i>Includes 1460-77, -79, -83, & -159</i>	
1460-3077/PA	Regular Arm w/PA	F
	<i>Includes 1460-62PA, -77, -79, -83, -159, & -201</i>	
1460-3077/62A	Regular Arm w/62A Shoe	F
	<i>Includes 1460-62A, -77, -79, -83, & -159</i>	
1460-3077L	Long Arm	F
	<i>Includes 1460-77, -79LR, -83, & -159</i>	
1460-3077HD	Heavy-Duty Regular Arm	F
	<i>Includes 1460-77HD, -79, -83, & -159</i>	
1460-3077HD/PA	Heavy-Duty Regular Arm w/PA	F
	<i>Includes 1460-62PA, -77HD, -79, -83, -159, & -201</i>	
1460-3077HD/62A	Heavy-Duty Reg Arm w/62A	F
	<i>Includes 1460-62A, -77HD, -79, -83, & -159</i>	
1460-3077HD/LG	Heavy-Duty Long Arm	F
	<i>Includes 1460-77HD, -79LR, -83, & -159</i>	

Individual Arm Parts

Individual arm parts for 1460-3077, -3077/PA, -3077/62A, -3077L, -3077HD, -3077HD/PA, -3077/62A, & -3077HD/LG

1460-62A	Auxiliary Parallel Arm Shoe	F
1460-62PA	Parallel Arm Shoe	F
	<i>Includes 1460-201</i>	
1460-77	Main Arm & Forearm	F
	<i>Includes 1460-159</i>	
1460-77HD	Heavy Duty Main Arm & Fore	F
	<i>Includes 1460-159</i>	
1460-79	Rod & Shoe	F
	<i>Includes 1460-83 / Length is 8 3/8" (213mm)</i>	
1460-79LR	Long Rod & Shoe	F
	<i>Includes 1460-83 / Length is 12 3/8" (314mm)</i>	
1460-83	Arm Screw	F
1460-159	Arm Screw	F
1460-201	Fifth Screw Spacer	



Please specify finish (F), size (S), hand (H), & voltage (V) where indicated. See the latest edition of the LCN Catalog for part descriptions and specifications on many of the items shown above. List prices for items shown above can be located in the current LCN Price List.

LCN 1460 SERIES "Super Stock"

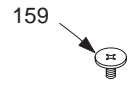
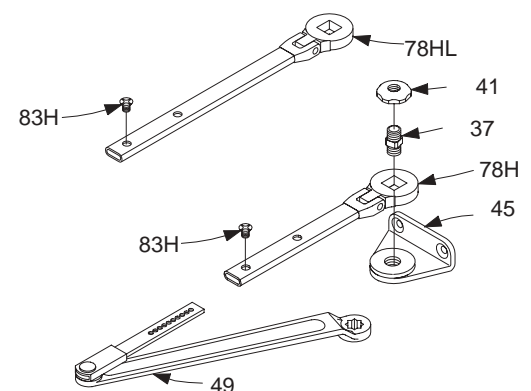
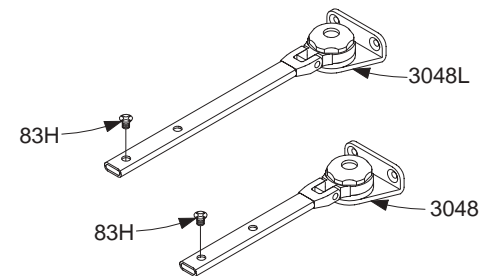
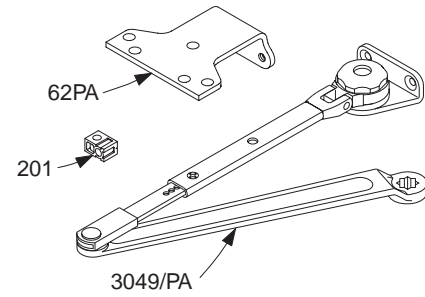
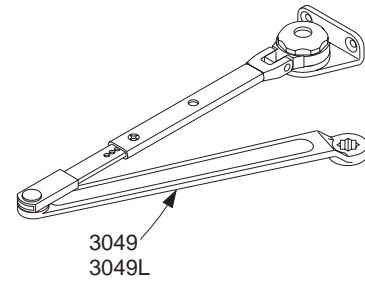
Complete Arm Assemblies

1460-3049	Hold-Open Arm	F
	<i>Includes 1460-49, -83H, -159, & -3048</i>	
1460-3049/PA	Hold-Open Arm w/PA	F
	<i>Includes 1460-49, -62PA, -83H, -159, -201, & -3048</i>	
1460-3049L	Hold-Open Long Arm	F
	<i>Includes 1460-49, -83H, -159, & -3048L</i>	

Individual Arm Parts

Individual arm parts for 1460-3049, -3049/PA, & -3049L

1460-37	Hold-Open Stud	F
1460-41	Hold-Open Nut	F
1460-45	Hold-Open Shoe	F
1460-49	HO Main Arm & Rod	F
	<i>Includes 1460-159</i>	
1460-62PA	Parallel Arm Shoe	F
	<i>Includes 1460-201</i>	
1460-78H	H Head & Tube	F
	<i>Includes 1460-83H</i>	
1460-78HL	Head & Long Tube	F
	<i>Includes 1460-83H</i>	
1460-83H	H Arm Screw	F
1460-159	Arm Screw	F
1460-201	Fifth Screw Spacer	
1460-3048	HO Head & Tube Assembly	F
	<i>Includes 1460-37, -41, -45, -78H, & -83H</i> <i>Length is 5 3/4" (146mm)</i>	
1460-3048L	HO Head & Long Tube Assy	F
	<i>Includes 1460-37, -41, -45, -78HL, & -83H</i> <i>Length is 8 5/8" (219mm)</i>	



Please specify finish (F), size (S), hand (H), & voltage (V) where indicated. See the latest edition of the LCN Catalog for part descriptions and specifications on many of the items shown above. List prices for items shown above can be located in the current LCN Price List.

LCN 1460 SERIES "Super Stock"

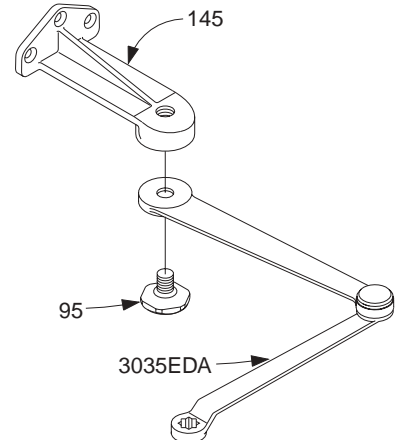
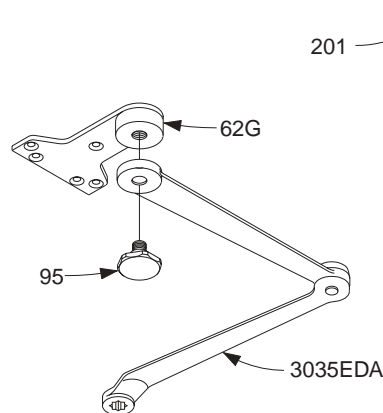
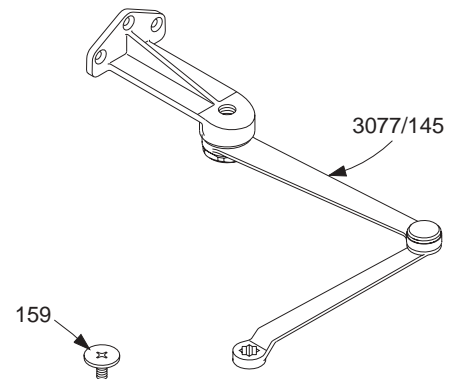
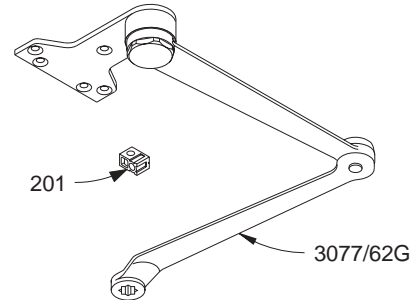
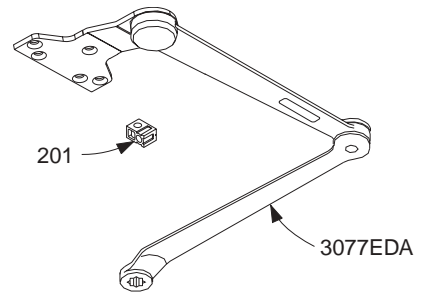
Complete Arm Assemblies

1460-3077EDA	Extra Duty Arm	F
	<i>Includes 1460-159 & -201</i>	
1460-3077EDA/62G	Extra Duty Arm w/62G	F
	<i>Includes 1460-62G, -95, -159, -201, & -3035EDA</i>	
1460-3077EDA/145	Extra Duty Arm w/145	F
	<i>Includes 1460-95, -145, -159, & -3035EDA</i>	

Individual Arm Parts

Individual arm parts for 1460-3077EDA, -3077EDA/62G, -3077/145

1460-62G	Thick Hub Shoe	F
	<i>Includes 1460-201</i>	
1460-95	Arm Stud	F
1460-145	Flush Transom Shoe	F
1460-159	Arm Screw	F
1460-201	Fifth Screw Spacer	
1460-3035EDA	EDA Main Arm & Forearm	F
	<i>Includes 1460-159</i>	



Please specify finish (F), size (S), hand (H), & voltage (V) where indicated. See the latest edition of the LCN Catalog for part descriptions and specifications on many of the items shown above. List prices for items shown above can be located in the current LCN Price List.

LCN 1460 SERIES "Super Stock"

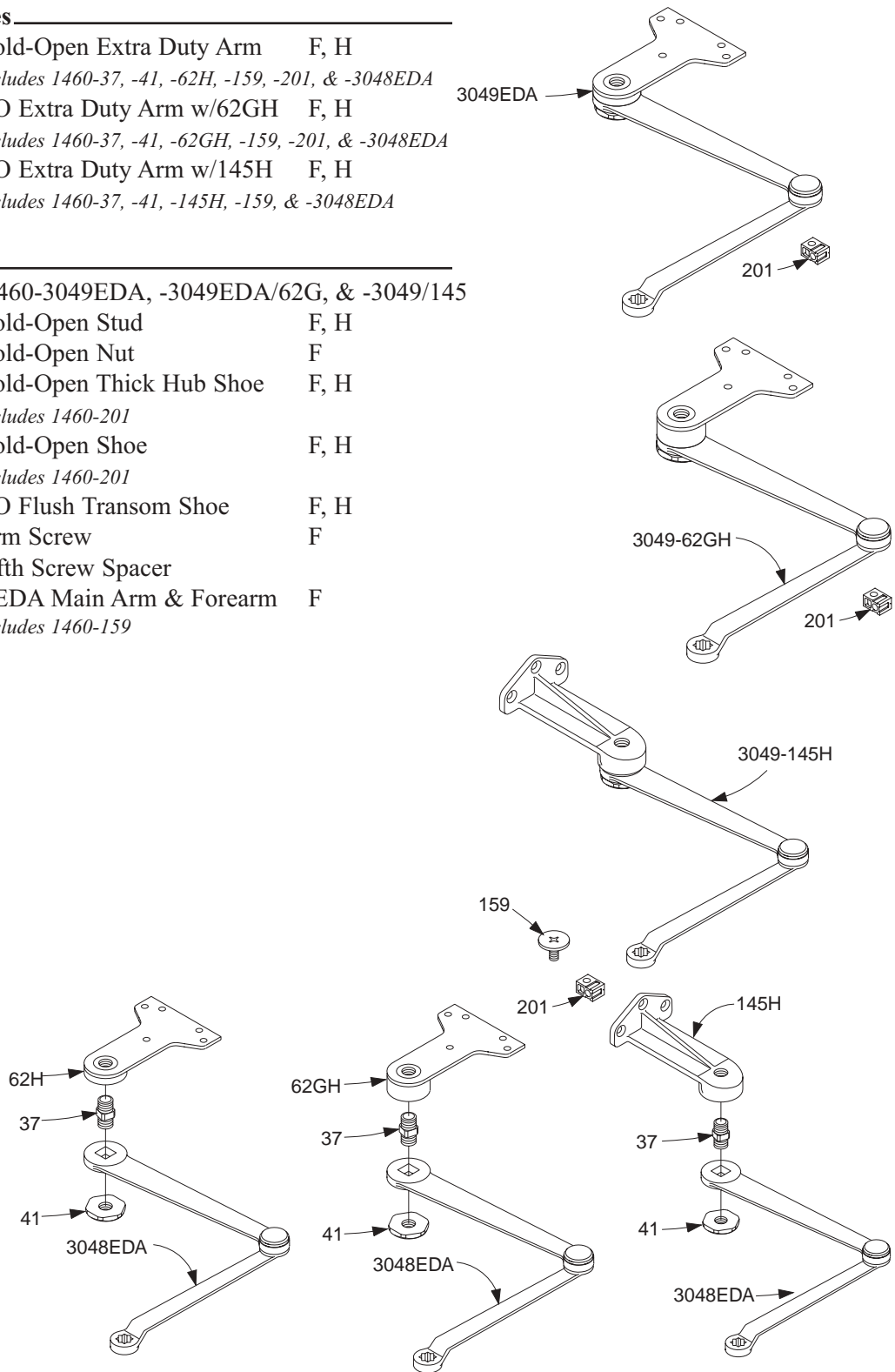
Complete Arm Assemblies

1460-3049EDA	Hold-Open Extra Duty Arm	F, H
	<i>Includes 1460-37, -41, -62H, -159, -201, & -3048EDA</i>	
1460-3049EDA/62G	HO Extra Duty Arm w/62GH	F, H
	<i>Includes 1460-37, -41, -62GH, -159, -201, & -3048EDA</i>	
1460-3049EDA/145	HO Extra Duty Arm w/145H	F, H
	<i>Includes 1460-37, -41, -145H, -159, & -3048EDA</i>	

Individual Arm Parts

Individual arm parts for 1460-3049EDA, -3049EDA/62G, & -3049/145

1460-37	Hold-Open Stud	F, H
1460-41	Hold-Open Nut	F
1460-62GH	Hold-Open Thick Hub Shoe	F, H
	<i>Includes 1460-201</i>	
1460-62H	Hold-Open Shoe	F, H
	<i>Includes 1460-201</i>	
1460-145H	HO Flush Transom Shoe	F, H
1460-159	Arm Screw	F
1460-201	Fifth Screw Spacer	
1460-3048EDA	HEDA Main Arm & Forearm	F
	<i>Includes 1460-159</i>	

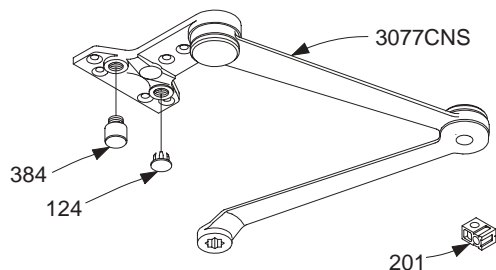


Please specify finish (F), size (S), hand (H), & voltage (V) where indicated. See the latest edition of the LCN Catalog for part descriptions and specifications on many of the items shown above. List prices for items shown above can be located in the current LCN Price List.

LCN 1460 SERIES "Super Stock"

Complete Arm Assemblies

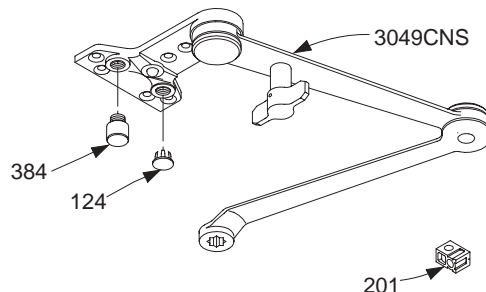
1460-3077CNS	Cush-n-Stop Arm	F
	<i>Includes 1460-124, -159, -201, & -384</i>	
1460-3049CNS	Hold-Open Cush-n-Stop Arm	F
	<i>Includes 1460-124, -159, -201, & -384</i>	



Individual Arm Parts

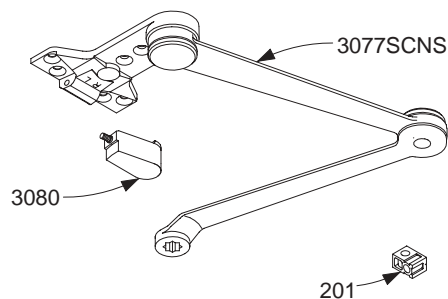
Individual arm parts for 1460-3077CNS & -3049CNS

1460-124	Plug	F
1460-159	Arm Screw	F
1460-201	Spacer	
1460-384	Stop	F



Complete Arm Assemblies

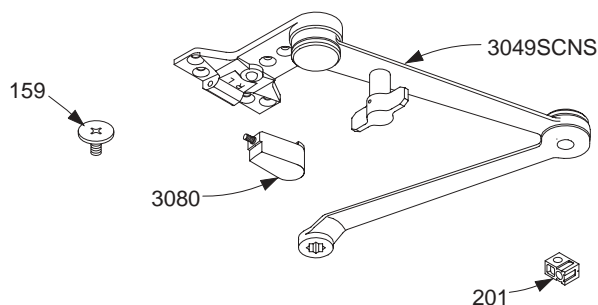
1460-3077SCNS	Spring Cush-n-Stop Arm	F
	<i>Includes 1460-159, -201, & -3080</i>	
1460-3049SCNS	HO Spring Cush-n-Stop Arm	F
	<i>Includes 1460-159, -201, & -3080</i>	



Individual Arm Parts

Individual arm parts for 1460-3077SCNS, & -3049SCNS

1460-159	Arm Screw	F
1460-201	Fifth Screw Spacer	
1460-3080	Spring Cush Block	F



Please specify finish (**F**), size (**S**), hand (**H**), & voltage (**V**) where indicated. See the latest edition of the LCN Catalog for part descriptions and specifications on many of the items shown above. List prices for items shown above can be located in the current LCN Price List.

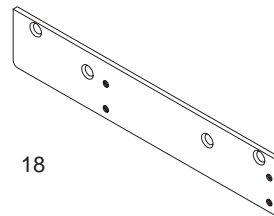
LCN 1460 SERIES "Super Stock"

Mounting Plates

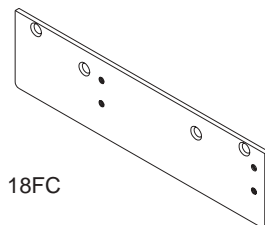
1460-18	Mounting Plate	F
1460-18DS1	Mounting Plate	F
1460-18FC	Mounting Plate	F
1460-18PA	Mounting Plate	F
1460-18PADS1	Mounting Plate	F
1460-18PAFC	Mounting Plate	F

Installation Accessories

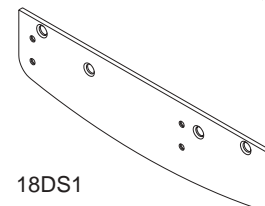
1460-30	Cush Shoe Support	F
1460-61	Blade Stop Spacer	F
1460-65	Soffit Shoe	F
1460-418	Parallel Arm Shoe Adapter	F
1460-419	Flush Panel Adapter	F



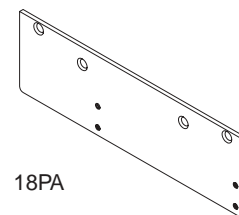
18



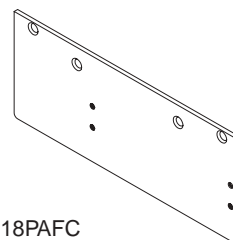
18FC



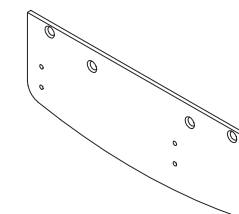
18DS1



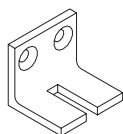
18PA



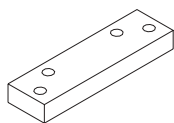
18PAFC



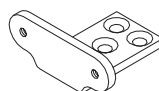
PADS1



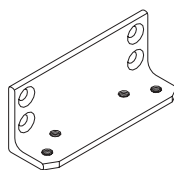
30



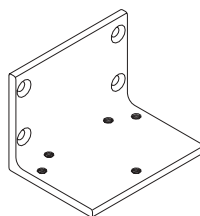
61



65



418



419

Please specify finish (F), size (S), hand (H), & voltage (V) where indicated. See the latest edition of the LCN Catalog for part descriptions and specifications on many of the items shown above. List prices for items shown above can be located in the current LCN Price List.

LCN 1460 SERIES "Super Stock"

Please specify finish **(F)**, size **(S)**, hand **(H)**, & voltage **(V)** where indicated. See the latest edition of the LCN Catalog for part descriptions and specifications on many of the items shown above. List prices for items shown above can be located in the current LCN Price List.